

SHACKLE

Leading The Way Of Precision Manufacturing



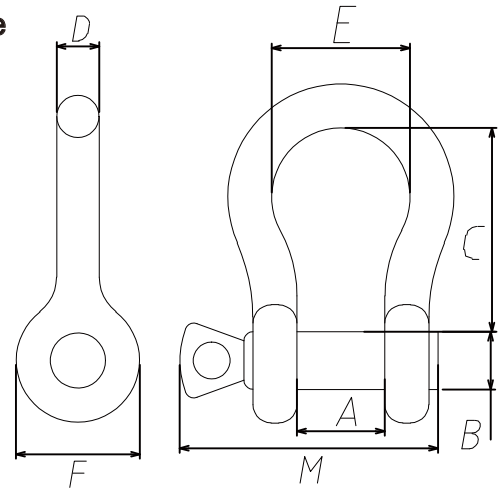
G209 / G209A

1. G209 Screw Pin Anchor Shackle

Breaking Load: 4times * W.L.L./6times * W.L.L.
 Surface: Galvanized, Power Painted, Electrophoretic black Etc
 Material: Carbon Steel Body(AISI1045)+ Alloy Steel Pin(40CR)
 Heat Treatment: Yes(6times Breaking load), No(4times Breaking load)

2. G209A Alloy Screw Pin Shackle

Breaking Load: 4times /6times * W.L.L.
 Surface: Galvanized, Power Painted, Electrophoretic black etc.
 Material: Alloy Steel
 Heat Treatment: Yes(6times Breaking load), No(4times Breaking load)



G209 Screw Pin Anchor Shackle

Part No.	Size(in.)	Working Load Limit(t)	Weight(lbs.)	Dimensions(in.)						
				A	B	C	D	E	F	M
TKR0028	3/16	1/3	0.06	0.38	0.25	0.88	0.19	0.6	0.56	1.14
TKR0029	1/4	1/2	0.1	0.47	0.31	1.13	0.25	0.78	0.61	1.43
TKR0030	5/16	3/4	0.18	0.53	0.38	1.22	0.31	0.84	0.75	1.71
TKR0031	3/8	1	0.31	0.66	0.44	1.44	0.38	1.03	0.91	2.02
TKR0032	7/16	1-1/2	0.38	0.75	0.5	1.69	0.44	1.16	1.06	2.37
TKR0033	1/2	2	0.72	0.81	0.63	1.88	0.5	1.31	1.19	2.69
TKR0034	5/8	3-1/4	1.37	1.06	0.75	2.38	0.63	1.69	1.5	3.34
TKR0035	3/4	4-3/4	2.35	1.25	0.88	2.81	0.75	2	1.81	3.97
TKR0036	7/8	6-1/2	3.62	1.44	1	3.31	0.88	2.28	2.09	4.5
TKR0037	1	8-1/2	5.03	1.69	1.13	3.75	1	2.69	2.38	5.13
TKR0038	1-1/8	9-1/2	7.41	1.81	1.25	4.25	1.16	2.91	2.69	5.71
TKR0039	1-1/4	12	9.5	2.03	1.38	4.69	1.29	3.25	3	6.25
TKR0040	1-3/8	13-1/2	13.53	2.25	1.5	5.25	1.42	3.63	3.31	6.83
TKR0041	1-1/2	17	17.2	2.38	1.63	5.75	1.54	3.88	3.63	7.33
TKR0042	1-3/4	25	27.78	2.88	2	7	1.84	5	4.19	9.06
TKR0043	2	35	45	3.25	2.25	7.75	2.08	5.75	4.81	10.35
TKR0044	2-1/2	55	85.75	4.13	2.75	10.5	2.71	7.25	5.69	13

G209 Screw pin anchor shackles meet the performance requirements RR-C-271F Type IVA, Grade A, Class 2

G209A Screw Pin Anchor Shackle

Part No.	Size(in.)	Working Load Limit(t)	Weight(lbs.)	Dimensions(in.)						
				A	B	C	D	E	F	M
TKR0045	3/8	2	0.31	0.66	0.44	1.44	0.38	1.03	0.91	2.03
TKR0046	7/16	2-2/3	0.38	0.75	0.5	1.69	0.44	1.16	1.06	2.38
TKR0047	1/2	3-1/3	0.63	0.81	0.63	1.88	0.5	1.31	1.19	2.69
TKR0048	5/8	5	1.38	1.06	0.75	2.38	0.63	1.69	1.5	3.34
TKR0049	3/4	7	2.35	1.25	0.88	2.81	0.75	2	1.81	3.97
TKR0050	7/8	9-1/2	3.61	1.44	1	3.31	0.88	2.28	2.09	4.5
TKR0051	1	12-1/2	5.32	1.69	1.13	3.75	1	2.69	2.38	5.07
TKR0052	1-1/8	15	7.25	1.81	1.25	4.25	1.16	2.91	2.69	5.59
TKR0053	1-1/4	18	9.88	2.03	1.38	4.69	1.29	3.25	3	6.16
TKR0054	1-3/8	21	13.25	2.25	1.5	5.25	1.42	3.63	3.31	6.84

G209 A Screw pin anchor shackles meet the performance requirements RR-C-271F Type IVA, Grade A, Class 2

Shackle



G210

3. G210 Screw Pin Chain Shackle

Breaking Load: 4times/6times W.L.L
 Surface: Galvanized, Powder Painted, Electrophoretic black etc.
 Material: Carbon Steel Body+ Alloy Steel Pin
 Heat Treatment: Yes(6times Breaking load), No(4times Breaking load)

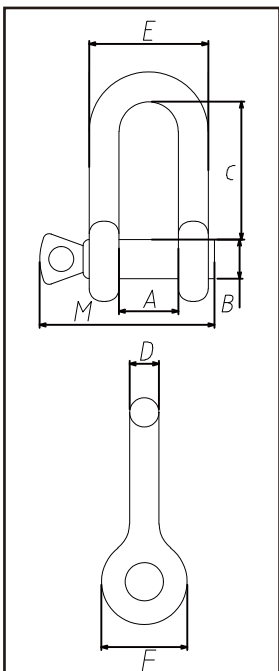
4.G2130 Bolt Type Anchor Shackle

Breaking Load: 4times/6times W.L.L.
 Surface: Galvanized, Powder Painted, Electrophoretic black etc.
 Material: Carbon Steel Body+ Alloy Steel Pin
 Heat Treatment: Yes(6times Breaking load), No(4times Breaking load)



G2130

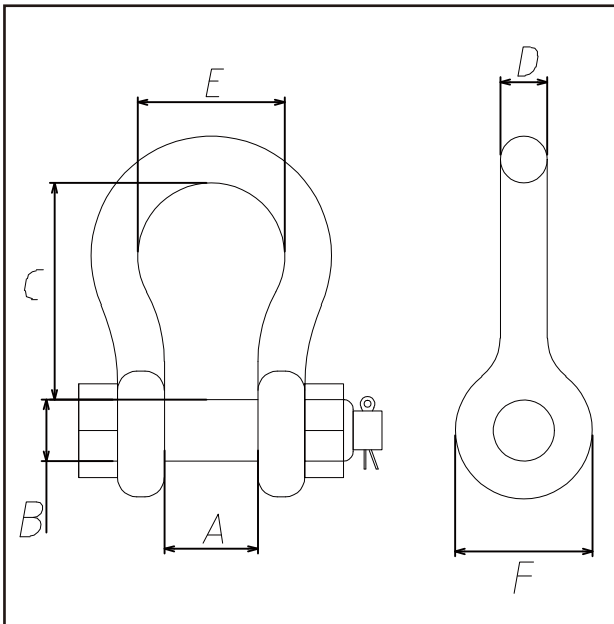
G210 Screw Pin Chain Shackle



Part No.	Size(in.)	Working Load Limit(t)	Weight(lbs.)	Dimensions(in.)						
				A	B	C	D	E	F	M
TKR0055	1/4	1/2	0.11	0.47	0.31	0.97	0.25	0.97	0.62	1.43
TKR0056	5/16	3/4	0.17	0.53	0.38	1.07	0.31	1.15	0.75	1.71
TKR0057	3/8	1	0.28	0.66	0.44	1.28	0.38	1.42	0.92	2.02
TKR0058	7/16	1-1/2	0.43	0.75	0.5	1.48	0.44	1.63	1.06	2.37
TKR0059	1/2	2	0.59	0.81	0.63	1.66	0.5	1.81	1.18	2.69
TKR0060	5/8	3-1/4	1.25	1.06	0.75	2.04	0.63	2.32	1.5	3.34
TKR0061	3/4	4-3/4	2.63	1.25	0.88	2.4	0.75	2.75	1.81	3.97
TKR0062	7/8	6-1/2	3.16	1.44	1	2.86	0.88	3.2	2.1	4.5
TKR0063	1	8-1/2	4.75	1.69	1.13	3.24	1	3.69	2.38	5.13
TKR0064	1-1/8	9-1/2	6.75	1.81	1.25	3.61	1.13	4.07	2.69	5.71
TKR0065	1-1/4	12	9.06	2.03	1.38	3.97	1.25	4.53	3	6.25
TKR0066	1-3/8	13-1/2	11.63	2.25	1.5	4.43	1.38	5.01	3.31	6.53
TKR0067	1-1/2	17	15.95	2.38	1.63	4.87	1.5	5.38	3.62	7.33
TKR0068	1-3/4	25	26.75	2.88	2	5.78	1.75	6.38	4.19	9.06
TKR0069	2	35	42.31	3.25	2.25	6.77	2.1	7.25	5	10.35
TKR0070	2-1/2	55	71.75	4.12	2.75	8.07	2.63	9.38	5.68	13

G210 Screw pin chain shackles meet the performance requirements of Federal Specification RR-C-271F Type IVA, Grade A, Class 2

G2130 Bolt Type Anchor Shackle



Part No.	Size(in.)	Working Load Limit(t)	Weight(lbs.)	Dimensions(in.)					
				A	B	C	D	E	F
TKR0071	3/16	1/3	0.06	0.38	0.25	0.88	0.19	0.6	0.56
TKR0072	1/4	1/2	0.11	0.47	0.31	1.13	0.25	0.78	0.61
TKR0073	5/16	3/4	0.22	0.53	0.38	1.22	0.31	0.84	0.75
TKR0074	3/8	1	0.33	0.66	0.44	1.44	0.38	1.03	0.91
TKR0075	7/16	1-1/2	0.49	0.75	0.5	1.69	0.44	1.16	1.06
TKR0076	1/2	2	0.79	0.81	0.64	1.88	0.5	1.31	1.19
TKR0077	5/8	3-1/4	1.68	1.06	0.77	2.38	0.63	1.69	1.5
TKR0078	3/4	4-3/4	2.72	1.25	0.89	2.81	0.75	2	1.81
TKR0079	7/8	6-1/2	3.95	1.44	1.02	3.31	0.88	2.28	2.09
TKR0080	1	8-1/2	5.66	1.69	1.15	3.75	1	2.69	2.38
TKR0081	1-1/8	9-1/2	8.27	1.81	1.25	4.25	1.13	2.91	2.69
TKR0082	1-1/4	12	11.71	2.03	1.4	4.69	1.29	3.25	3
TKR0083	1-3/8	13-1/2	15.83	2.25	1.53	5.25	1.42	3.63	3.31
TKR0084	1-1/2	17	19	2.38	1.66	5.75	1.53	3.88	3.63
TKR0085	1-3/4	25	33.91	2.88	2.04	7	1.84	5	4.19
TKR0086	2	35	52.25	3.25	2.3	7.75	2.08	5.75	4.81
TKR0087	2-1/2	5	98.25	4.13	2.8	10.5	2.71	7.25	5.69
TKR0088	3	85	154	5	3.3	13	3.12	7.88	6.5
TKR0089	3-1/2	120	265	5.25	3.76	14.63	3.62	9	8
TKR0090	4	150	338	5.5	4.26	14.5	4	10	9

G2130 Bolt-type anchor shackles meet the performance requirements of Federal Specification RR-C-271F Type IVA, Grade A, Grade A, Class 3



G2150

5. G2150 Bolt Type Chain Shackle

Breaking Load: 4times/6times W.L.L.
Surface: Galvanized, Powder Painted,
Electrophoretic black etc.

Material: Carbon Steel Body+ Alloy Steel Pin
Heat Treatment: Yes(6times Breaking load),
No(4times Breaking load)

6. G213 Round Pin Anchor Shackle

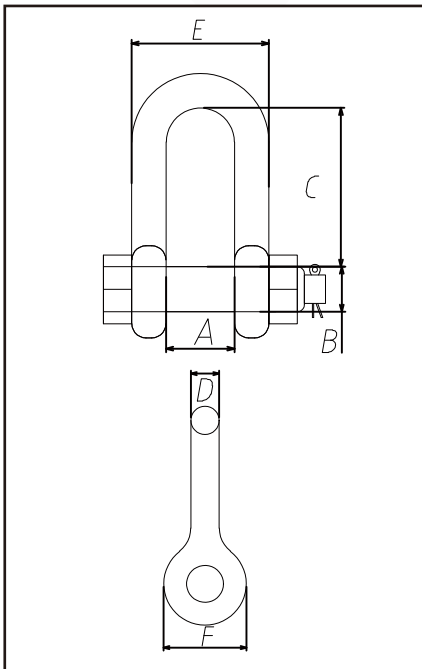
Breaking Load: 4times/6times W.L.L.
Surface: Galvanized, Powder Painted,
Electrophoretic black etc.

Material: Carbon Steel Body+ Alloy Steel Pin
Heat Treatment: Yes(6times Breaking load),
No(4times Breaking load)



G213

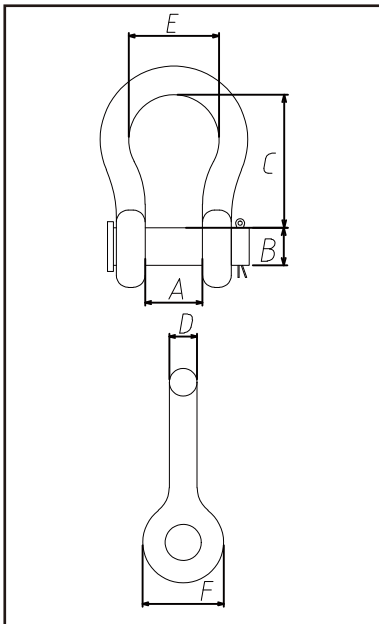
G2150 Bolt Type Chain Shackle



Part No.	Size(in.)	Working Load Limit(t)	Weight(lbs.)	Dimensions(in.)					
				A	B	C	D	E	F
TKR0091	1/4	1/2	0.13	0.47	0.31	0.91	0.25	0.97	0.62
TKR0092	5/16	3/4	0.23	0.53	0.38	1.07	0.31	1.15	0.75
TKR0093	3/8	1	0.33	0.66	0.44	1.28	0.38	1.42	0.92
TKR0094	7/16	1-1/2	0.49	0.75	0.5	1.48	0.44	1.63	1.06
TKR0095	1/2	2	0.75	0.81	0.64	1.66	0.5	1.81	1.18
TKR0096	5/8	3-1/4	1.47	1.06	0.77	2.04	0.63	2.32	1.5
TKR0097	3/4	4-3/4	2.52	1.25	0.89	2.4	0.75	2.75	1.81
TKR0098	7/8	6-1/2	3.85	1.44	1.02	2.86	0.88	3.2	2.1
TKR0099	1	8-1/2	5.55	1.69	1.15	3.24	1	3.69	2.38
TKR0100	1-1/8	9-1/2	7.6	1.81	1.25	3.61	1.13	4.07	2.68
TKR0101	1-1/4	12	10.81	2.03	1.4	3.97	1.25	4.53	3
TKR0102	1-3/8	13-1/2	13.75	2.25	1.53	4.43	1.38	5.01	3.31
TKR0103	1-1/2	17	18.5	2.38	1.66	4.87	1.5	5.38	3.62
TKR0104	1-3/4	25	31.4	2.88	2.04	5.82	1.75	6.38	4.19
TKR0105	2	35	46.75	3.25	2.3	6.82	2.1	7.25	5
TKR0106	2-1/2	5	85	4.12	2.8	8.07	2.63	9.38	5.68
TKR0107	3	85	124.25	5	3.25	8.56	3	11	6.5

G-2150 Bolt-type chain shackles meet the performance requirements of Federal Specification RR-C-271F Type IVA, Grade A, Class3

G213 Round Pin Anchor Shackle



Part No.	Size(in.)	Working Load Limit(t)	Weight (lbs.)	Dimensions(in.)					
				A	B	C	D	E	F
TKR0108	1/4	1/2	0.13	0.47	0.31	1.13	0.25	0.78	0.61
TKR0109	5/16	3/4	0.18	0.53	0.38	1.22	0.31	0.84	0.75
TKR0110	3/8	1	0.29	0.66	0.44	1.44	0.38	1.03	0.91
TKR0111	7/16	1-1/2	38	0.75	0.5	1.69	0.44	1.16	1.06
TKR0112	1/2	2	0.71	0.81	0.63	1.88	0.5	1.31	1.19
TKR0113	5/8	3-1/4	1.5	1.06	0.75	2.38	0.63	1.69	1.5
TKR0114	3/4	4-3/4	2.32	1.25	0.88	2.81	0.75	2	1.81
TKR0115	7/8	6-1/2	3.49	1.44	1	3.31	0.88	2.28	2.09
TKR0116	1	8-1/2	5	1.69	1.13	3.75	1	2.69	2.38
TKR0117	1-1/8	9-1/2	6.97	1.81	1.25	4.25	1.13	2.91	2.69
TKR0118	1-1/4	12	9.75	2.03	1.38	4.69	1.29	3.25	3
TKR0119	1-3/8	13-1/2	13.25	2.25	1.5	5.25	1.42	3.63	3.31
TKR0120	1-1/2	17	17.25	2.38	1.63	5.75	1.54	3.88	3.63
TKR0121	1-3/4	25	29.46	2.88	2	7	1.84	5	4.19
TKR0122	2	35	45.75	3.25	2.25	7.75	2.08	5.75	4.81

G-213 Round pin anchor shackles meet the performance requirements of Federal Specification RR-C-271F Type IVA, Grade A, Class1

Shackle



G215

7. G215 Round Pin Chain Shackle

Breaking Load: 4times/6times W.L.L.
 Surface: Galvanized, Powder Painted, Electrophoretic black etc.
 Material: Carbon Steel Body+ Alloy Steel Pin
 Heat Treatment: Yes(6times Breaking load), No(4times Breaking load)

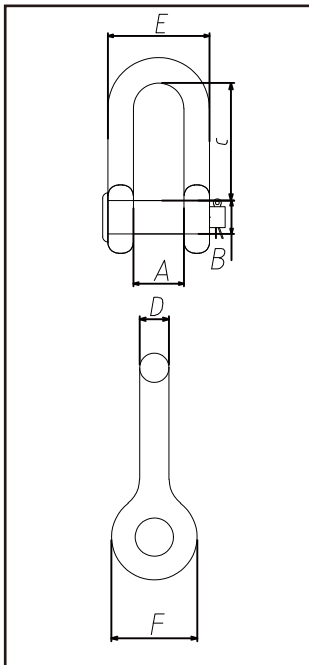


G2160

8.G2160 Wide- Body Shackle

Breaking Load: 6times W.L.L.
 Surface: Galvanized, Powder Painted, Electrophoretic black etc.
 Material: Alloy Steel
 Heat Treatment: Yes(6times Breaking load)

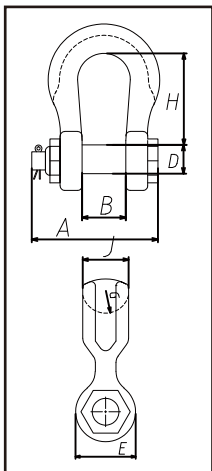
G215 Round Pin Chain Shackle



Part No.	Size(in.)	Working Load Limit(t)	Weight(lbs.)	Dimensions(in.)					
				A	B	C	D	E	F
TKR0123	1/4	1/2	0.1	0.47	0.31	0.91	0.25	0.97	0.62
TKR0124	5/16	3/4	0.18	0.53	0.38	1.07	0.31	1.15	0.75
TKR0125	3/8	1	0.25	0.66	0.44	1.28	0.38	1.42	0.92
TKR0126	7/16	1-1/2	0.4	0.75	0.5	1.48	0.44	1.63	1.06
TKR0127	1/2	2	0.5	0.81	0.63	1.66	0.5	1.81	1.18
TKR0128	5/8	3-1/4	1.21	1.06	0.75	2.04	0.63	2.32	1.5
TKR0129	3/4	4-3/4	2	1.25	0.88	2.4	0.75	2.75	1.81
TKR0130	7/8	6-1/2	3.28	1.44	1	2.86	0.88	3.2	2.1
TKR0131	1	8-1/2	4.75	1.69	1.13	3.24	1	3.69	2.38
TKR0132	1-1/8	9-1/2	6.3	1.81	1.25	3.61	1.13	4.07	2.68
TKR0133	1-1/4	12	9	2.03	1.38	3.97	1.25	4.53	3
TKR0134	1-3/8	13-1/2	12	2.25	1.5	4.43	1.38	5.01	3.31
TKR0135	1-1/2	17	16.15	2.38	1.63	4.87	1.5	5.38	3.62
TKR0136	1-3/4	25	29.96	2.88	2	5.82	1.75	6.38	4.19
TKR0137	2	35	43.25	3.25	2.25	6.82	2.1	7.25	5

G-215 Round pin chain shackles meet the performance requirements of Federal Specification RR-C-271F Type IVA, Grade A, Class 1

G2160 Wide- Body Shackle



Part No.	W.L.L. (T)	Weight (kg)	Dimensions(mm)						
			A	B±0.25	D±0.02	E	G	H	J
TKR0138	7	4	4.14	1.25	0.88	1.82	1.25	3.56	1.6
TKR0139	12.5	8.8	5.38	1.69	1.13	2.38	1.37	4.63	2.13
TKR0140	18	14.9	6.69	2.03	1.38	2.69	1.5	5.81	2.5
TKR0141	30	26.5	7.69	2.37	1.63	3.5	2.5	6.94	3.13
TKR0142	40	46	9.28	2.88	2	4	1.75	8.06	3.75
TKR0143	55	68	10.36	3.25	2.25	4.63	2	9.36	4.5
TKR0144	75	112	15.04	4.13	2.75	5.34	3.75	11.53	5
TKR0145	125	193	17.7	5.12	3.15	6.5	3.75	14.37	5.91
TKR0146	200	420	19.35	5.91	4.12	8.41	5.25	18.91	8.56
TKR0147	300	805	22.61	7.38	5.25	10.5	6.13	23.63	10.38



9. European Bow Shackle

Material: Carbon Steel (Q235) or Stainless Steel

Process: Open Die Forging

Surface: Zinc Plating(Carbon Steel) or Polishing



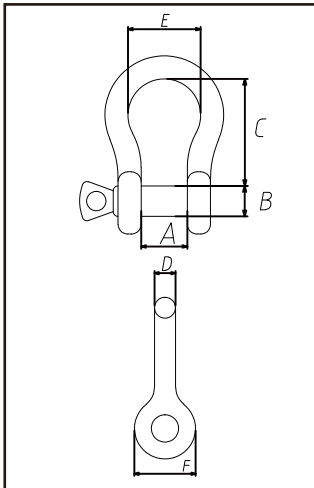
10. European Dee Shackle

Material: Carbon Steel (Q235) or Stainless Steel

Process: Open Die Forging

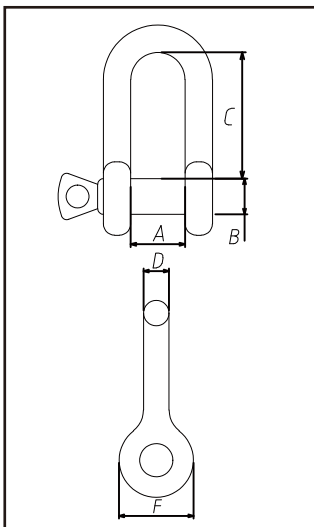
Surface: Zinc Plating(Carbon Steel) or Polishing

European Bow Shackle



Part No.	Min-Max Chain Size(mm)	Working Load Limit(t)	Weight (kg)	Dimensions(mm)					
				A	B	C	D	E	F
TKR0148	5	0.08	0.019	10	5	19	5	16	11
TKR0149	6	0.1	0.034	13	6	25	6	20	14
TKR0150	8	0.2	0.07	16	8	32	8	24	18
TKR0151	10	0.32	0.13	19	10	38	10	32	20
TKR0152	12	0.52	0.26	25	12	51	12	38	26
TKR0153	16	0.8	0.5	32	16	64	16	56	33
TKR0154	20	1.1	0.8	38	20	76	20	66	40
TKR0155	22	1.5	1.3	44	22	89	22	74	50
TKR0156	25	2.1	2	51	25	100	25	80	57
TKR0157	28	3	3.1	57	28	115	28	94	68
TKR0158	32	3.5	4.3	64	32	127	32	104	73
TKR0159	38	5	7	76	38	152	38	126	85
TKR0160	45	7	12.5	90	45	180	45	150	96
TKR0161	50	8	17.5	102	50	200	50	156	108

European Dee Shackle



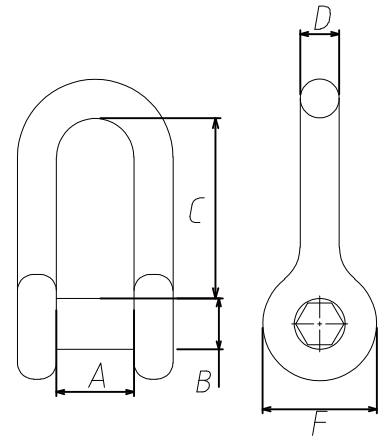
Part No.	Min-Max Chain Size(mm)	Working Load Limit(t)	Weight (kg)	Dimensions(mm)				
				A	B	C	D	F
TKR0162	5	0.08	0.019	10	5	19	5	11
TKR0163	6	0.1	0.034	13	6	25	6	14
TKR0164	8	0.2	0.07	16	8	32	8	18
TKR0165	10	0.32	0.13	19	10	38	10	20
TKR0166	12	0.52	0.24	25	12	51	12	26
TKR0167	16	0.8	0.5	32	16	64	16	33
TKR0168	20	1.1	0.8	38	20	76	20	40
TKR0169	22	1.5	1.3	44	22	89	22	50
TKR0170	25	2.1	2	51	25	100	25	57
TKR0171	28	3	3	57	28	115	28	68
TKR0172	32	3.5	4.3	64	32	127	32	73
TKR0173	38	5	6.75	76	38	152	38	85
TKR0174	45	7	12.5	90	45	180	45	96
TKR0175	50	8	17.5	102	50	200	50	108

Shackle



11. European with Inner Hexagonal Pin Dee Shackle

Material: Carbon Steel (Q235)
or Stainless Steel
Process: Open Die Forging
Surface: Zinc Plating(Carbon Steel)
or Polishing

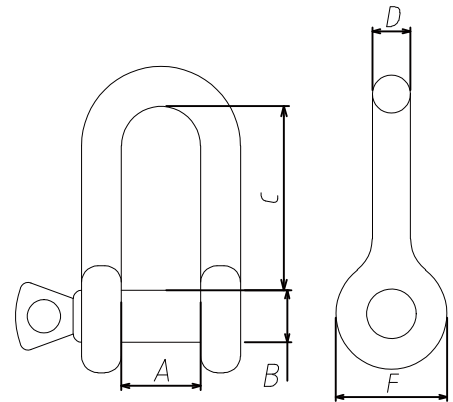


Part No.	Min-Max Chain Size(mm)	Working Load Limit(t)	Weight (kg)	Dimensions(mm)				
				A	B	C	D	F
TKR0176	10	0.32	0.092	19	10	38	10	20

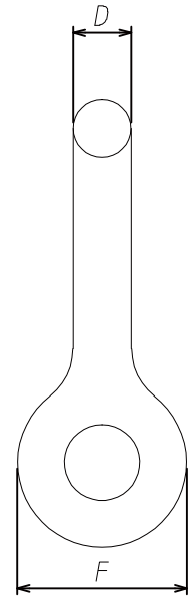
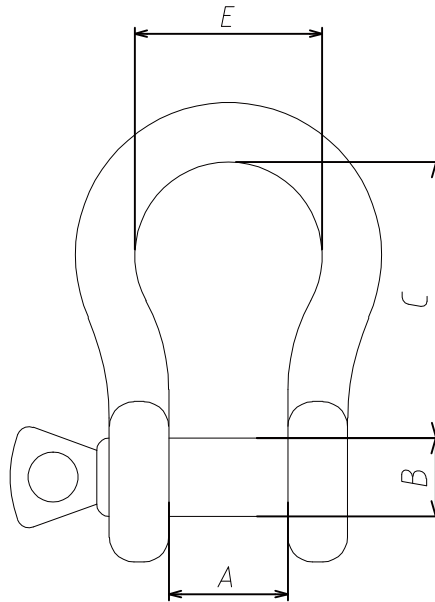


12. JIS Screw Pin D Shackle

Material: Carbon Steel (Q235) or Stainless Steel
Process: Open Die Forging
Surface: Zinc Plating(Carbon Steel) or Polishing



Part No.	Min-Max Chain Size(mm)	Weight (kg)	Dimensions(mm)				
			A	B	C	D	F
TKR0177	5	0.014	10	5	18.5	5	10
TKR0178	6	0.028	12	6.5	25	6	11
TKR0179	8	0.049	14	8.5	31	8	15
TKR0180	10	0.049	18	10	36	10	17
TKR0181	12	0.18	24	13	46	12	23
TKR0182	16	0.42	30	17	59	16	32
TKR0183	20	0.72	36	20	74	20	37
TKR0184	22	1.18	43	23	86	22	43
TKR0185	25	1.8	47	27	95	25	50
TKR0186	28	2.5	55	30	110	28	56
TKR0187	32	3.7	64	34	130	32	64
TKR0188	38	6.1	76	40	145	38	76
TKR0189	44	9.4	80	47	160	44	90
TKR0190	50	11.5	90	53	185	50	100



13.Australia Bow Shackle

Part No.	Size(mm)	W.L.L.(T)	Weight(kg)	Dimensions(mm)					
				A	B	C	D	E	F
TKR0191	5	0.33	0.02	10	6	22	5	15	14
TKR0192	6	0.5	0.05	12	8	29	6	20	17
TKR0193	8	0.75	0.09	13	10	31	8	21	21
TKR0194	10	1	0.15	17	11	37	10	26	25
TKR0195	13	2	0.37	21	16	48	13	33	33
TKR0196	16	3.2	0.65	27	19	61	16	43	40
TKR0197	19	4.7	1.06	32	22	72	19	51	48
TKR0198	22	6.5	1.56	37	25	84	22	58	54
TKR0199	25	8.5	2.32	43	29	95	25	68	60
TKR0200	29	9.5	3.09	46	32	108	29	74	67
TKR0201	32	12	4.31	52	35	119	32	83	76
TKR0202	35	13.5	6.01	57	38	133	35	92	84
TKR0203	38	17	8.03	60	44	146	38	98	92
TKR0204	44	35	13.79	73	51	178	44	127	110
TKR0205	51	35	20.42	83	57	197	51	146	127
TKR0206	57	42.5	26.06	95	53	222	57	160	143
TKR0207	63	55	38.8	105	70	267	63	184	152

Other specifications pls contact with us.